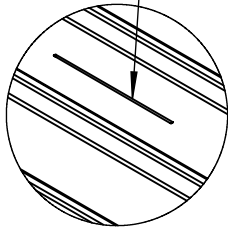
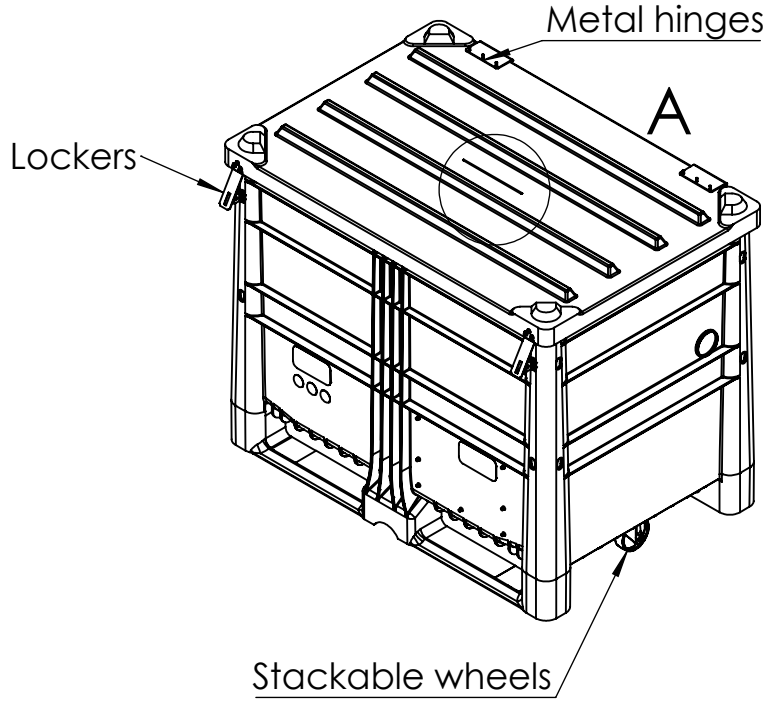


Open slot for insert files

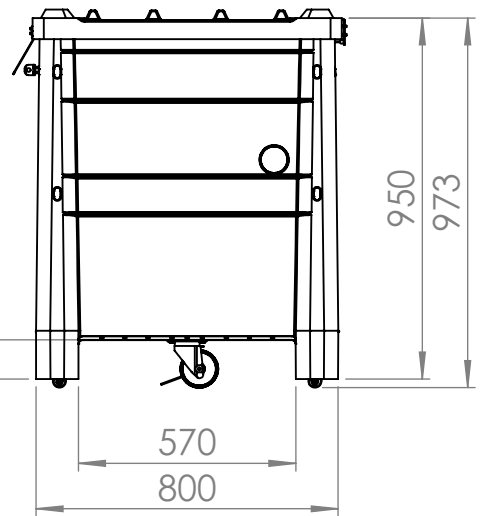
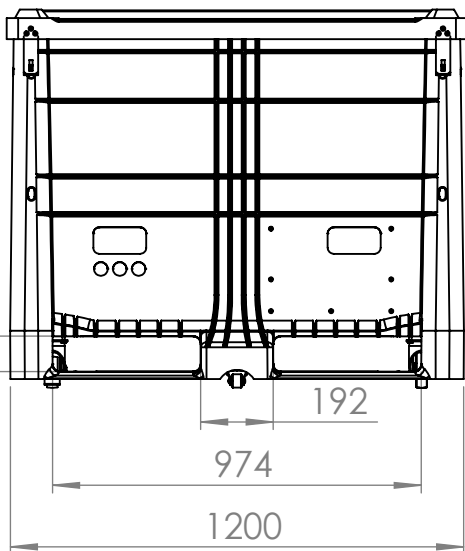
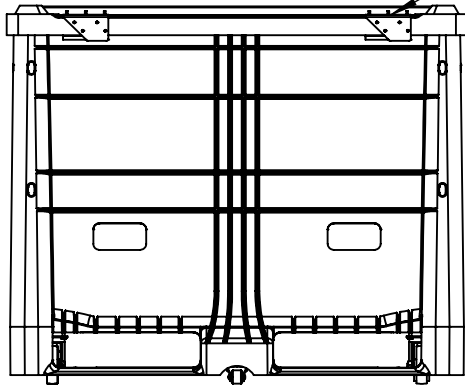


DETAIL A

SCALE 1 : 10



Removable lid - pull to the right side



Product Name: 800 TriHi 950 with DVF removable lid, lockers, open slot for insert files and stackable wheels

Catalog/Model #:

Weight: 43 kg

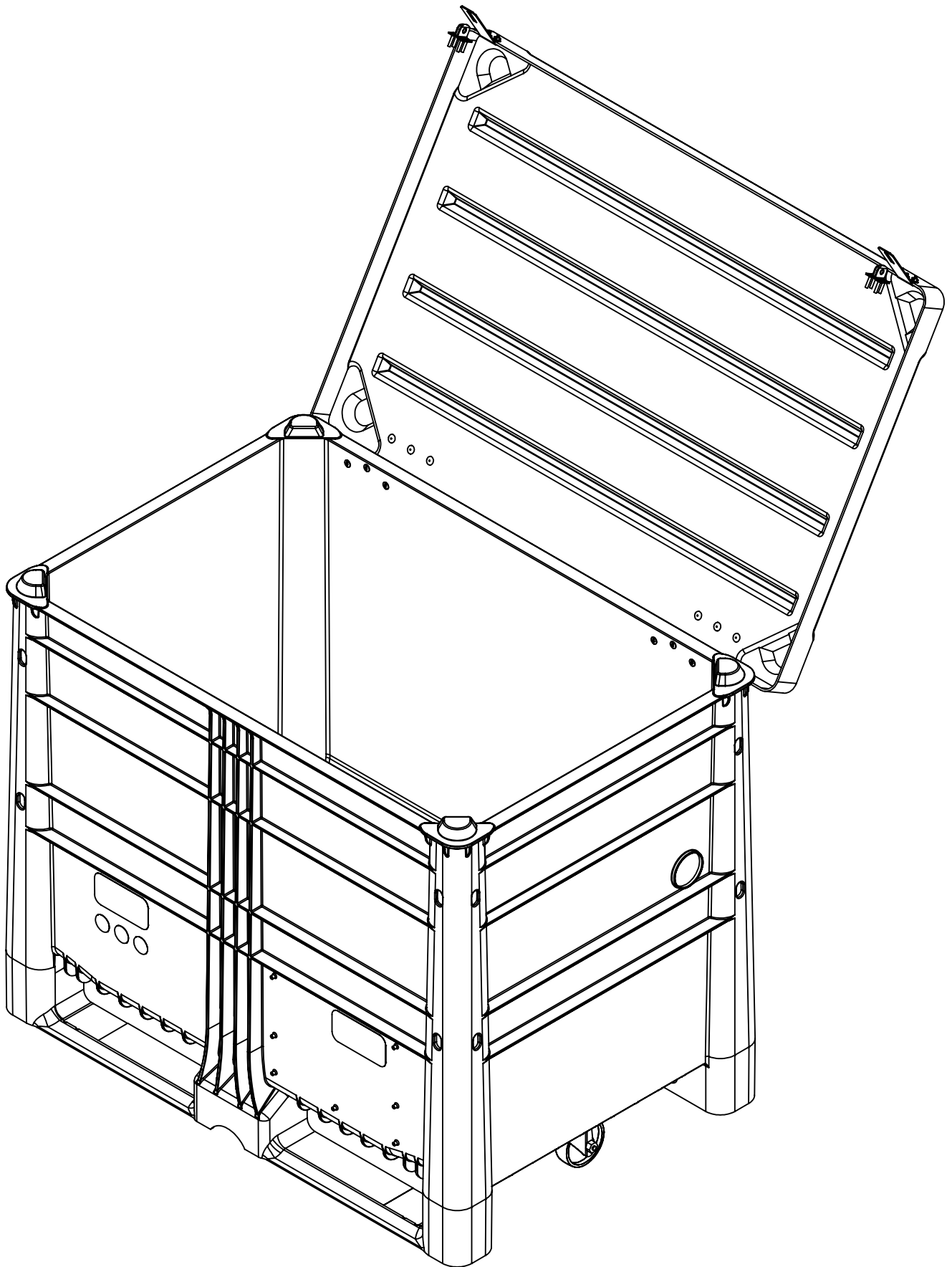
Gen. Tolerance: ± 1 %



DOLAV PLASTIC PRODUCTS COOPERATIVE SOCIETY LTD

Kibutz Dvir, M.P. Hanegiv 8523000, Israel ☎ 972 72 2450700

☎ 972 8 9918710 ✉ dolav@dolav.com 🌐 www.dolav.com



Product Name: 800 TriHi 950 with DVF  
removable lid, lockers, open slot for insert files  
and stackable wheels

Catalog/Model #:

Weight: 43 kg

| Gen. Tolerance:  $\pm 1\%$



DOLAV PLASTIC PRODUCTS COOPERATIVE SOCIETY LTD

Kibbutz Dvir, M.P. Hanegiv 8523000, Israel ☎ 972 / 2 2450700

✉ 972 8 9918710 📧 [dolav@dolav.com](mailto:dolav@dolav.com) 🌐 [www.dolav.com](http://www.dolav.com)